

Sullivan Palatek®

15-30, 40-50, 50-60 HP
Line Shaft



INDUSTRIAL AIR COMPRESSOR - 15-30 LSC, 40-50 LSC, 50-60 LSC

COMPRESSOR:

- » Continuous duty oil flooded rotary screw industrial air compressor
- » **5 Year Platinum Warranty Available**

PILLOW BLOCK:

- » Solidly mounted and aligned to compressor shaft allowing drive shaft direct connection and minimizing power loss

FRAME:

- » Rugged steel construction

COUPLING & DRIVE:

- » Compressor is flange mounted to frame for positive alignment and direct driven by low maintenance coupling
- » **5 Year Platinum Warranty Available**

AIR INTAKE FILTER:

- » Heavy duty dry type with replaceable element

SEPARATOR TANK:

- » ASME coded 200 PSIG sump tank, minimum pressure check valve, relief valve, high efficiency replaceable oil separator element, fluid level sight indicator and vented fill cap
- » **5 Year Platinum Warranty Available**

MOUNTING:

- » Base mounted, no special foundation required
- » Optional tank and platform mounting available

COOLING SYSTEM:

- » Air cooled with air cooled oil cooler and aftercooler
- » Compressor temperature maintained by auto adjusting thermo valve
- » **5 Year Platinum Warranty Available.**

CONTROLS:

- » Full modulation pneumatic control for smooth control
- » Pilot unloader valve for minimizing power with no air demand

INSTRUMENTATION:

- » Air pressure and discharge temperature gauges

PROTECTIVE DEVICES:

- » High temperature shut down switch for interfacing to driver's safety circuit
- » Overpressure relief valve

LUBRICATION:

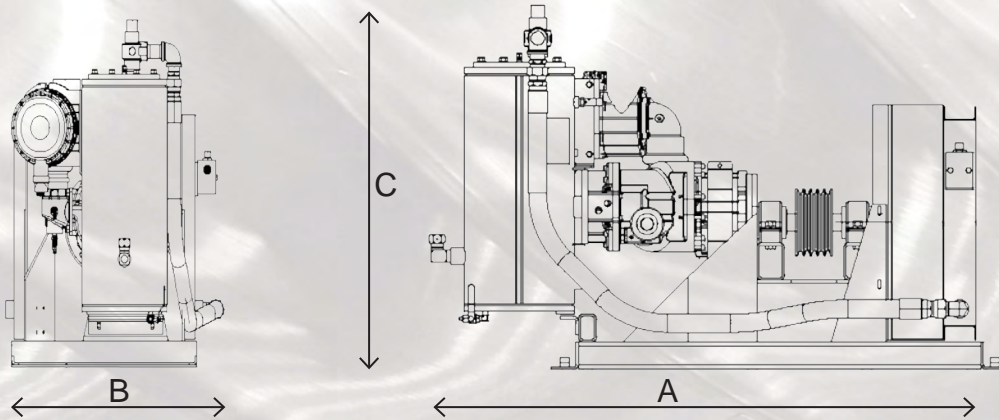
- » Factory filled with 4000 Hour Palasyn 45
- » Equipped with microfiber full flow, spin on oil filter

GENERAL:

- » Consult factory for options or accessories not listed

COMPRESSOR TECHNICAL DATA

MODEL	15-30 LSC	40-50 LSC	50-60 LSC
COMPRESSOR DATA			
Capacity, ACFM	55-115	165-210	215-265
Maximum full load/unload, psig	125	125	125
Minimum full load, psig	60	60	60
Minimum required driver HP	20-35	47-60	65-70
Compressor RPM	1750-3550	3550-4500	4250-5250
Driven pulley	C/F	C/F	C/F
Rotor diameter	108mm	108mm	108mm
L/D	1.65	1.65	2.10
COOLING DATA, AIR COOLED			
Fan air flow, CFM	1000-2500	3500-5000	5500-6500
Aftercooler approach degree F	15	15	15
Oil sump, fluid capacity	2.5 gal	3 gal	3.5 gal
SOUND DATA (dba @ 1m)			
Air cooled, open	75-81	84	87-90
Note: Rated capacity in ACFM is based on standard conditions @125 psig. Capacity will vary with ambient conditions; i.e. temperature and barometric pressure, and compressor output pressure.			



BASE MTD	15-30LSC	40-50LSC	50-60LSC
A	55"	64"	70"
B	31"	31"	31"
C	30"	40"	55"
Weight	400 Lbs	500 Lbs	650 Lbs



**Sullivan
Palatek**

1201 W. US Highway 20
Michigan City, IN 46360
Tel: 219-874-2497
Tel: 800-438-6203
www.sullivanpalatek.com
Email: info@palatek.com

Distributed By:

Line Shaft RP 3/11 1.5m